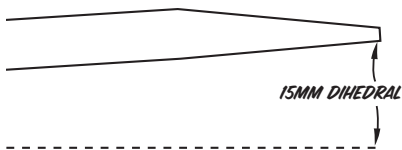
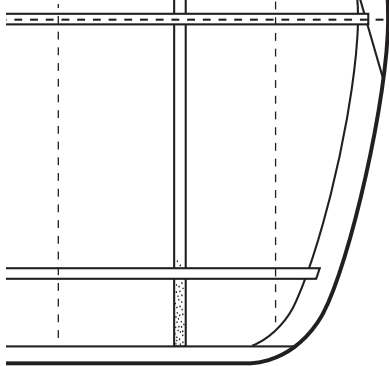


TRAILING EDGES
1/16" SHEET Balsa.
4 FOR RIBS, AND
TO PROFILE BEFORE
GLUING WINGS



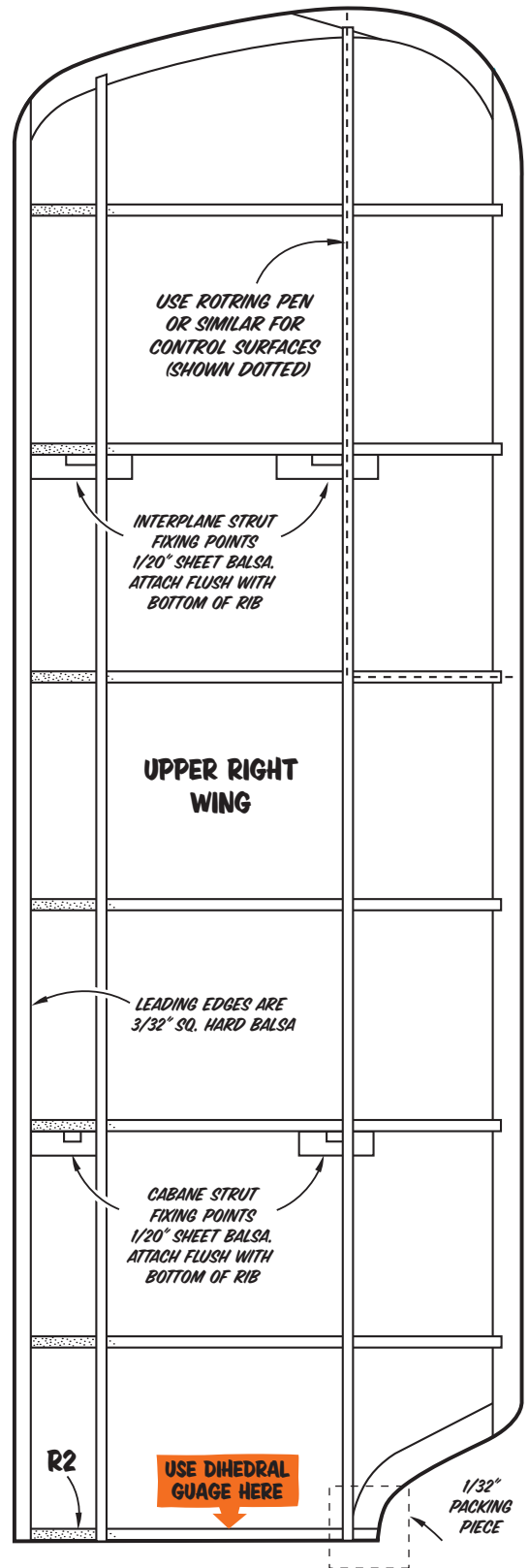
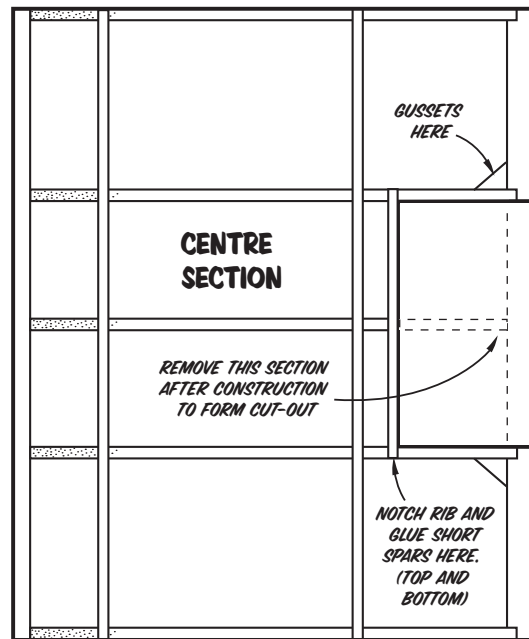
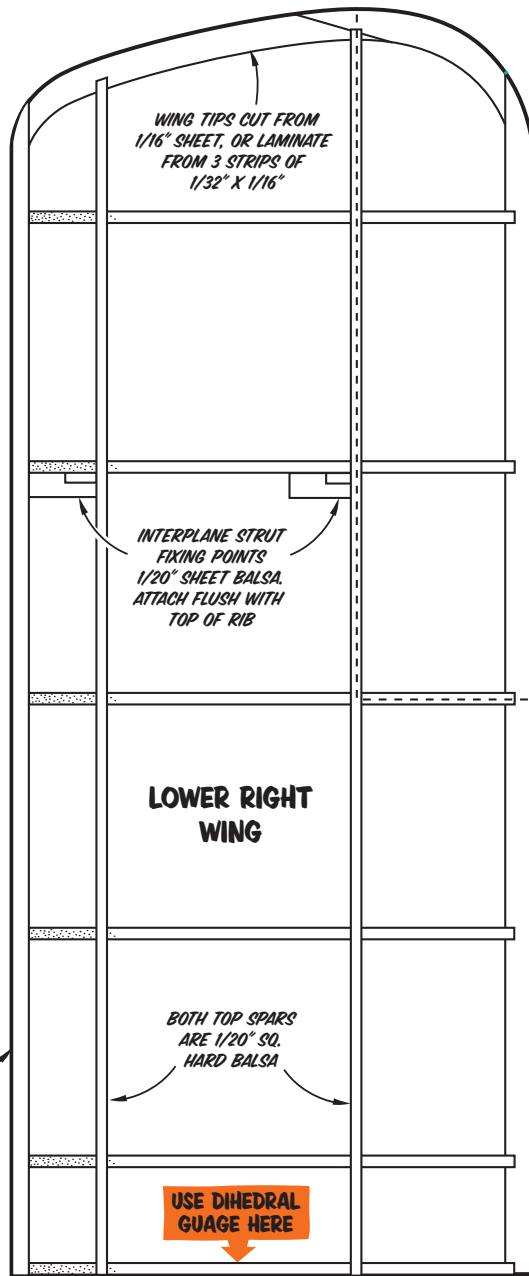
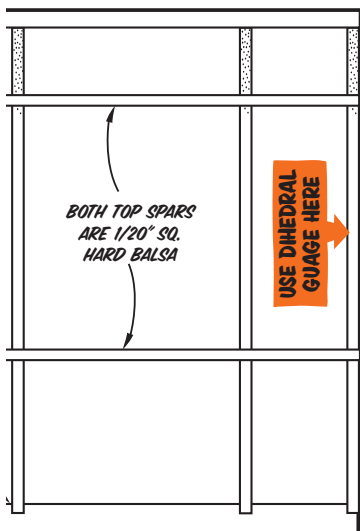
★ **DIHEDRAL** ★
15MM UNDER EACH
WING TIP (USE ANGLE GAUGE
TO CANT ROOT RIBS)

LEADING EDGES ARE
3/32" SQ. HARD Balsa



RIBS

ALL RIBS ARE 'R1' APART FROM
THE UPPER WING ROOT RIBS (R2).
CUT THESE RIB TEMPLATES FROM 1/64"
PLY AND USE AS A CUTTING GUIDE.



CHRISTMAS PLAN!

**SOPWITH 1/2
STRUTTER**

SHEET 2 OF 2

DESIGNED AND
DRAWN BY *Richard Crossley*