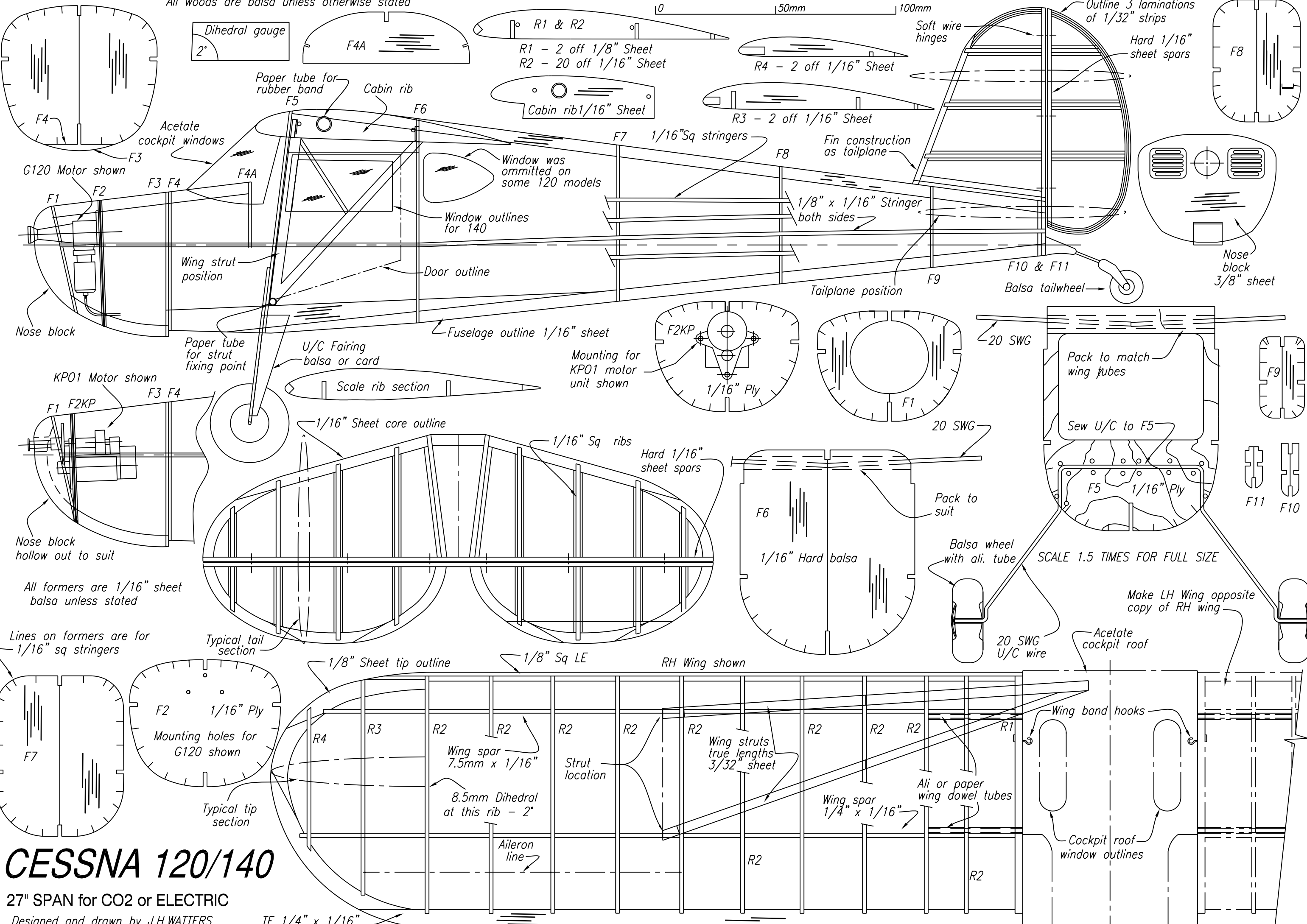


All woods are balsa unless otherwise stated

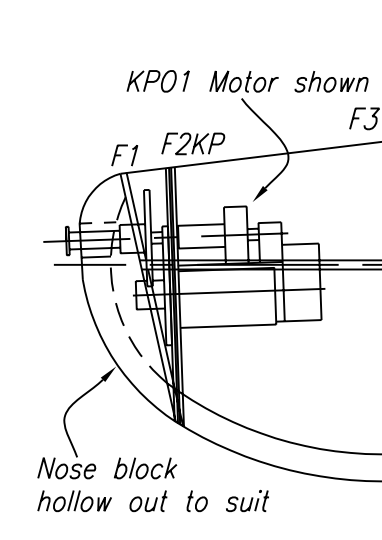
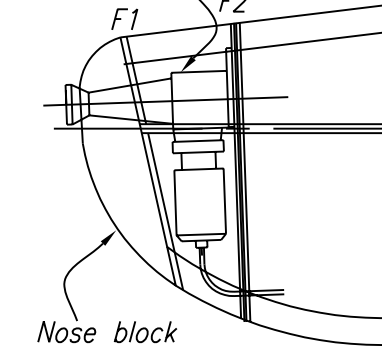
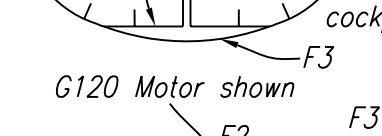
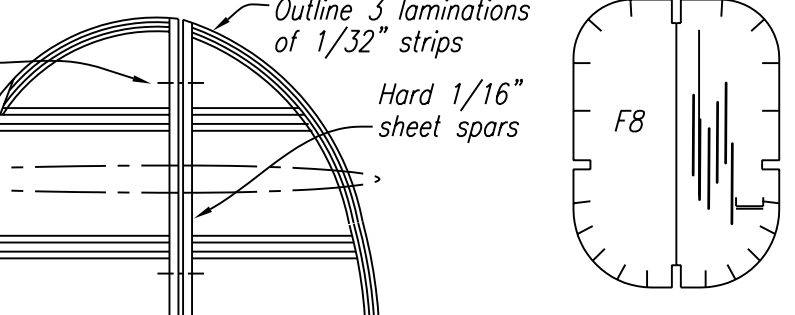
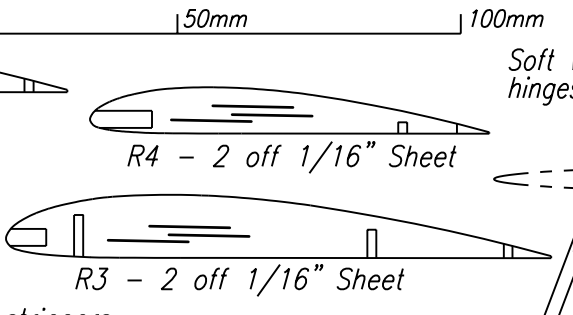
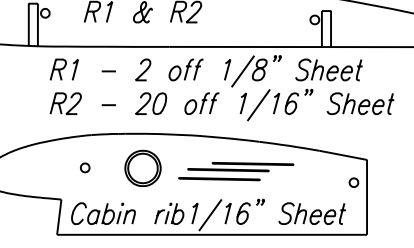
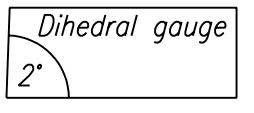


CESSNA 120/140

27" SPAN for CO2 or ELECTRIC

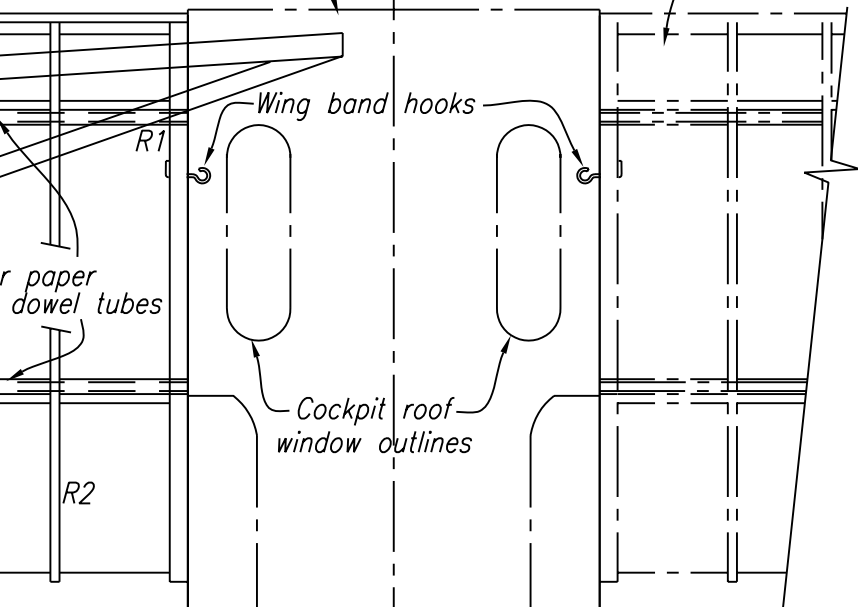
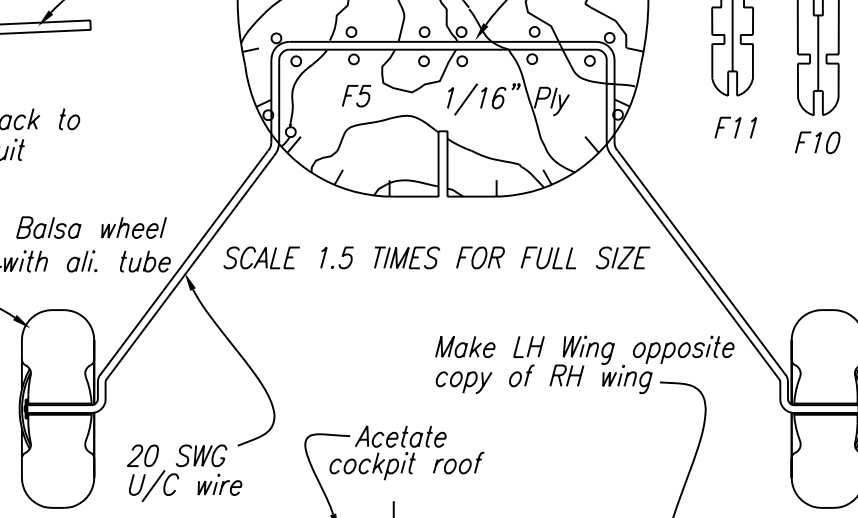
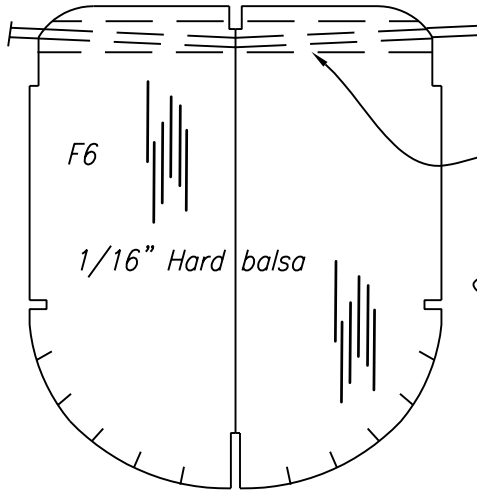
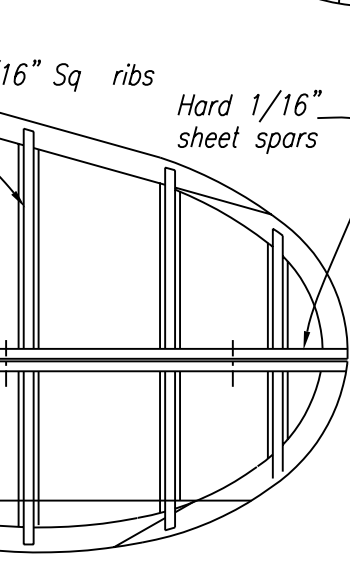
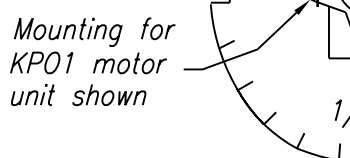
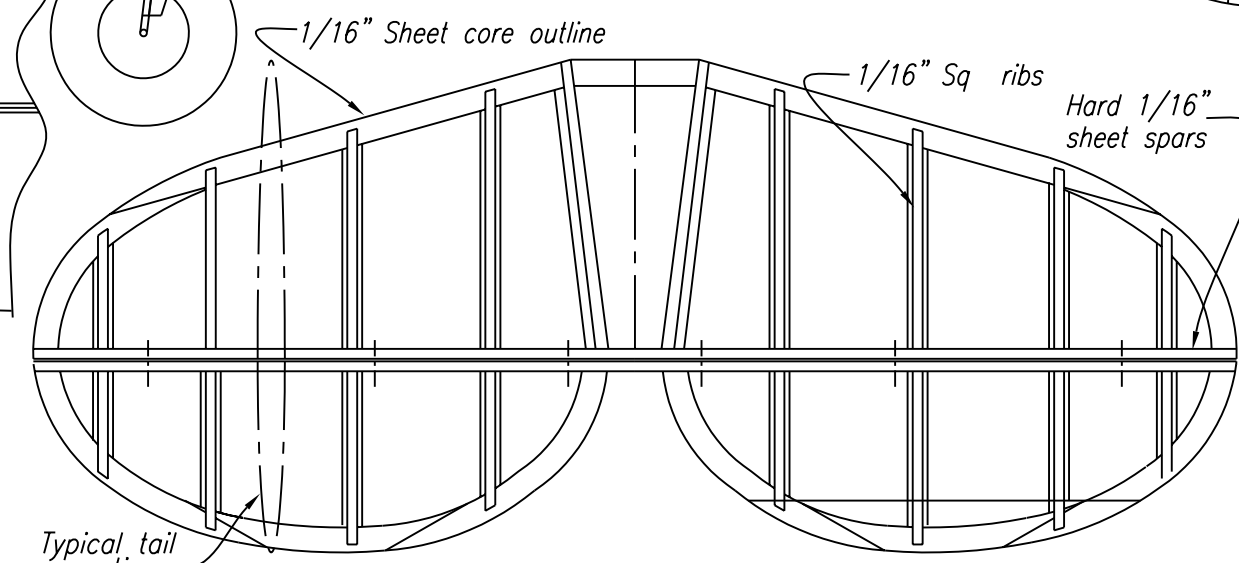
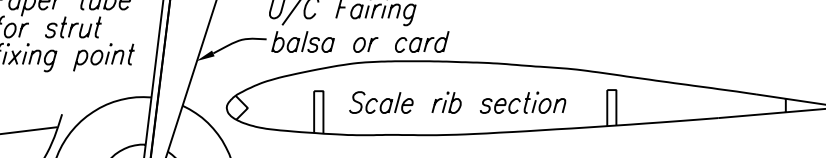
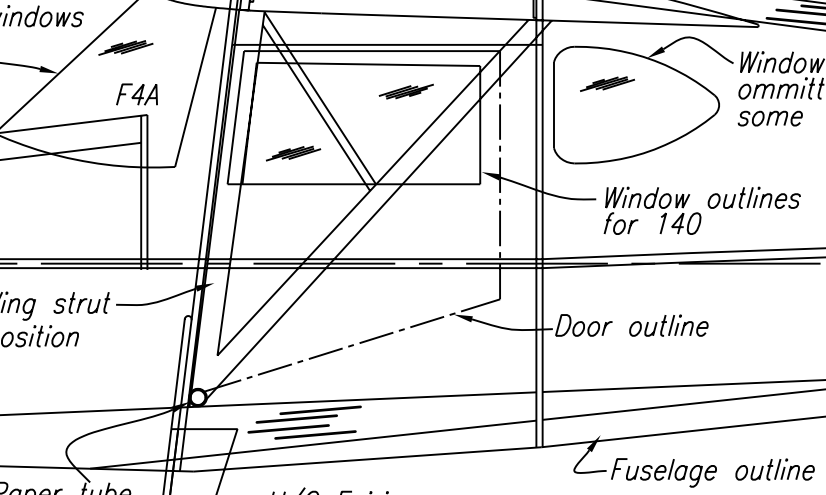
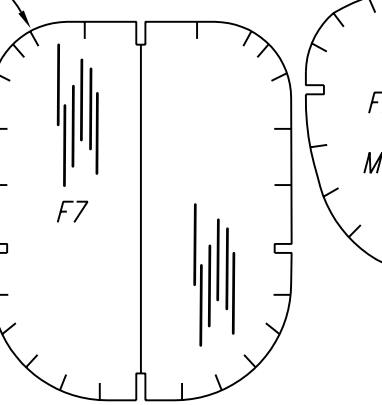
Designed and drawn by J.H.WATTERS

TE 1/4" x 1/16"



All formers are 1/16" sheet balsa unless stated

Lines on formers are for 1/16" sq stringers



SCALE 1.5 TIMES FOR FULL SIZE

Make LH Wing opposite copy of RH wing

Acetate cockpit roof